



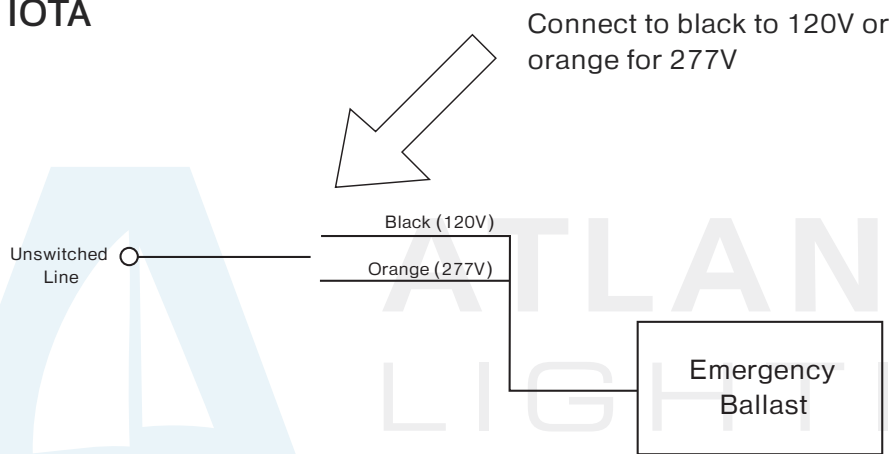
ATLANTIC
LIGHTING

Wiring Diagram

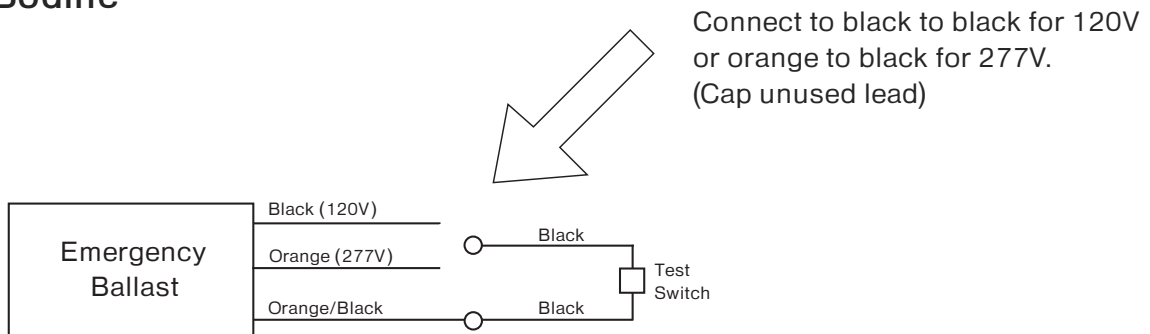
Voltage Specific Wiring for Emergency Ballasts

Recessed fixtures with emergency battery pack options must be wired by the electrician for use with either 120V or 277V service according to the following diagrams. These diagrams are provided to draw attention to the voltage specific wiring but the electrician must follow the complete wiring instructions provided by the emergency ballast manufacturer that are included with the product.

IOTA



Bodine



231 Commerce Drive Fall River, MA 02720

Phone: (508) 678-5411 Fax: (508) 678-5408 www.atlantic-lighting.com