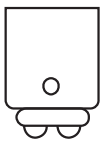


## Quartz Restrike Lamps

The Atlantic Lighting Quartz Restrike for fixtures up to 400W is a universal voltage (120-277V) control that incorporates a current sense circuit that automatically lights a quartz lamp when the main HID lamp is extinguished. During the initial power-up, the quartz lamp will be energized until the HID lamp illuminates. If the HID lamp cycles due to end of life or eventually “burns out”, the quartz lamp will be energized while the HID lamp is out. The quartz lamp will not function without power to the fixture. The QR lamp sizes are listed below, but the maximum load of a 250W quartz lamp cannot be exceeded.

Handle quartz lamps with care and do not touch the glass with bare hands. Used lamps should be disposed of properly.

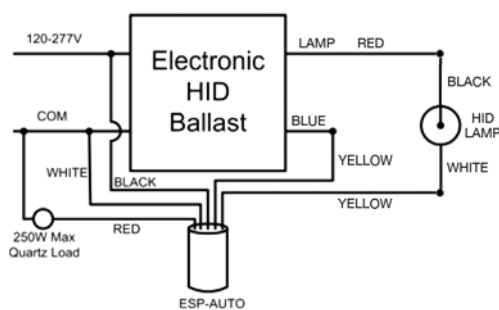


The QR socket accommodates a Double Contact Bayonet T4 lamp. Please note DC Bayonet T4 lamps are commercially available in 100W, 150W and 250W. Quartz Restrike is not recommended for 39-50W HID fixtures. However, there is a commercially available 25W T8 DC Bayonet incandescent lamp that could be used. The 25W T8 only provides an approximate 200 lumens.

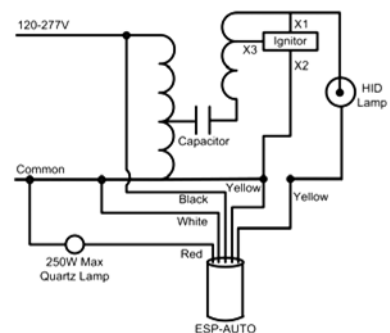
### QR wattage is determined by the fixture's wattage (HID Lamp)

HID Lamp	Quartz Restrike Lamp
39-50W	25W Incandescent T8 DC Bayonet base lamp (approximately 200 lumens)
70-100W	100W Quartz T4 DC Bayonet base lamp (approximately 1600 lumens)
150-175W	150W Quartz T4 DC Bayonet base lamp (approximately 2700 lumens)
250-400W	250W Quartz T4 DC Bayonet base lamp (approximately 5000 lumens)

WIRING CIRCUIT  
ELECTRONIC BALLAST



WIRING CIRCUIT  
CORE & COIL BALLAST  
WITH LAMP IGNITOR



Schematics provided for reference only.  
See separate Wiring Diagrams for detailed instructions.