

168 Stevens Street
Fall River, MA 02721

A ATLANTIC LIGHTING INC.

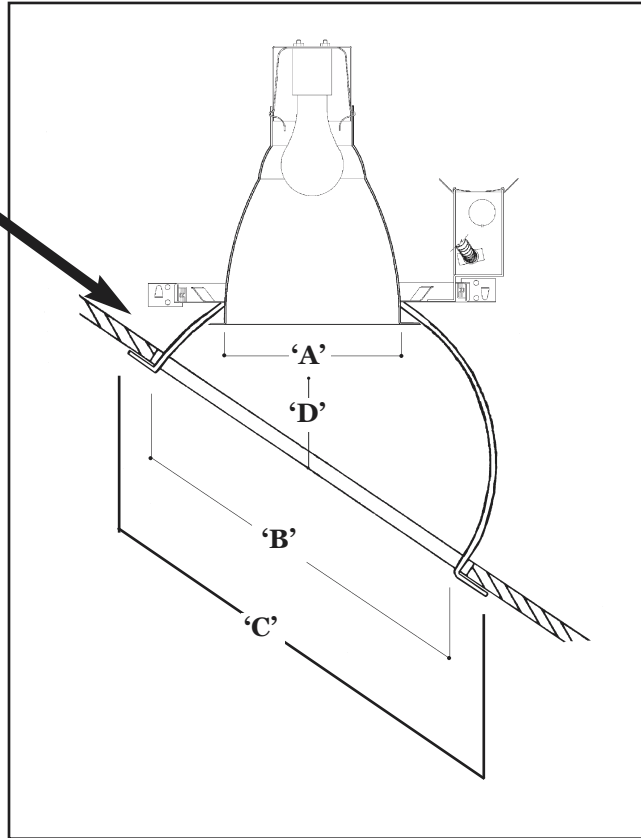
Phone: (508) 678-5411
Fax: (508) 678-5408
www.atlantic-lighting.com

Slope Ceiling Adapter Instructions

NOTE: Slope Adds Approx. 1" to recessed depth.

NOTE: Fixture must be supported by ceiling and mounted parallel to the floor.

Degree of slope must be specified when ordering.



Slide reflector through opening in the slope, socket end first. Then slide reflector into mounting frame (roto clip spring mounting) and insert fully. Reflector flange will hold slope adapter in correct mounting position.

IMPORTANT

Please Note: 10" & 12" Slope adapters will not fit between 16" joists.

| CATALOG NUMBER | 'A' DIA. | 'B' DIA. | 'C' Flange DIA. | 'D' DIA. |
|----------------|----------|----------|-----------------|---|
| 6SCAXXWH | 6" | 10 5/8" | 12 11/16" | SCA - 6 -XX 4 5/16" SCA - 7 -XX 4 7/8" SCA - 8 -XX 4 7/8" |
| 7SCAXXWH | 6 1/2" | 10 3/4 " | 12 5/8 " | SCA -10 - XX 5 7/16" SCA - 12 - XX 6" |
| 8SCAXXWH | 7 1/2" | 13 " | 14 " | |
| 10SCAXXWH | 9 1/2" | 13 1/8 " | 14 7/16 " | |
| 12SCAXXWH | 11 1/2" | 13 1/8 " | 14 7/16 " | XX - Please Specify slope degree upon ordering. |