



ATLANTIC
LIGHTING

Wiring Diagram

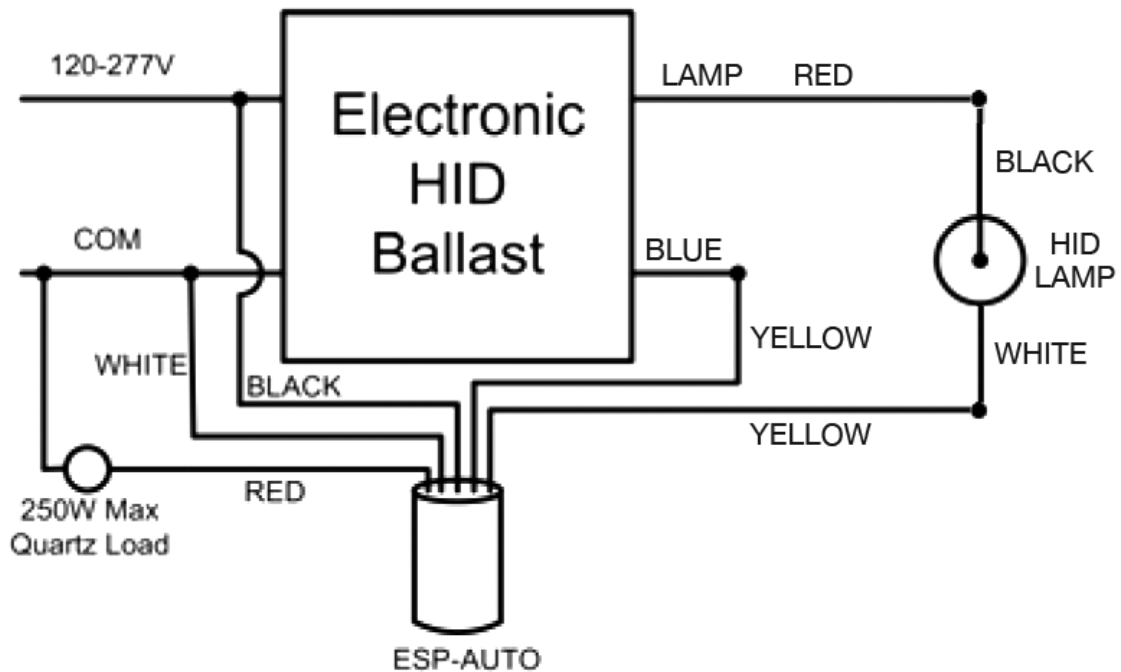
120V/277V HID Quartz Restrike Wiring Instructions Electronic Ballast

WARNING

Risk of Electrical Shock

Disconnect power from circuit breaker or fuse before installing or servicing any light fixture.

Do not energize until the reflector with the quartz restrike socket is completely installed and wired to the fixture.



231 Commerce Drive Fall River, MA 02720

Phone: (508) 678-5411 Fax: (508) 678-5408 www.atlantic-lighting.com