

# QUASAR

Illuminates while adding  
visual comfort

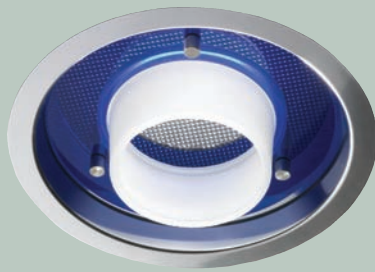
Three-part optical  
system creates a frosted  
cylindrical glow  
in a sea of diffused  
colored light

Available in a variety of  
colors with stainless  
steel, aluminum or brass  
spacing hardware

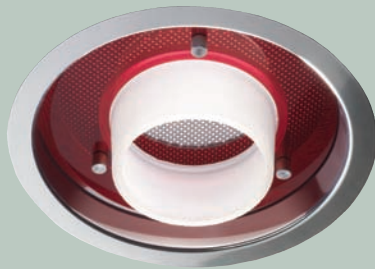
Custom tier and  
decorative modifications  
available



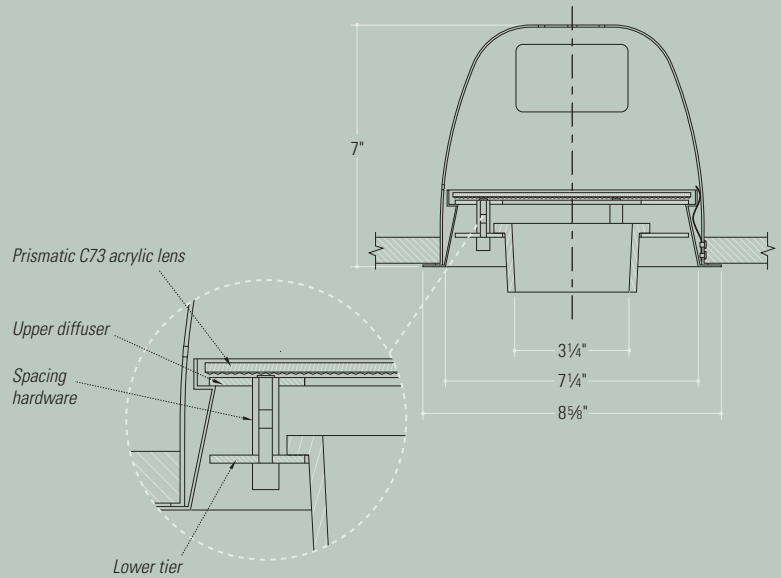
# QUASAR



Shown with blue upper diffuser and blue lower tier with polished flange



Shown with red upper diffuser and red lower tier with polished flange



## ordering data

FRAME-IN KIT	REFLECTOR KIT	SPLAY FINISH	UPPER DIFFUSER	LOWER TIER
<b>A1082XXE1/2</b> <b>A882XXE1/2</b>  Fill in XX with one of the following wattage numbers:  <b>13</b> 13 Watt <b>18</b> 18 Watt <b>26</b> 26 Watt <b>32</b> 32 Watt <b>42</b> 42 Watt	<b>A10821</b> 10" horizontal <b>8821</b> 8" horizontal  Prismatic Lens standard	<b>CL</b> Clear <b>WH</b> White	<b>UBU</b> Blue upper <b>URD</b> Red upper <b>UGR</b> Green upper <b>UAM</b> Amber upper <b>UFR</b> Frosted upper <b>UCL</b> Clear upper <b>UCC</b> Custom color	<b>LBU</b> Blue lower <b>LRD</b> Red lower <b>LGR</b> Green lower <b>LAM</b> Amber lower <b>LFR</b> Frosted lower <b>LCL</b> Clear lower <b>LCC</b> Custom color
<b>OPTIONS</b>  <b>BS</b> Brass spacing hardware <b>SS</b> Stainless steel spacing hardware <b>AL</b> Aluminum spacing hardware (factory standard)				
<b>SP*</b> Custom spacers (consult factory for lengths) <b>PF</b> Polish flange (factory standard is White Trim Flange)				
Refer to this sample when writing your order: <b>A108218E1/2-A10821CL-UBU-LBU-PF</b> <div style="display: flex; justify-content: space-around; font-size: small;"> <span>frame-in kit</span> <span>reflector kit</span> <span>splay finish</span> <span>upper diffuser</span> <span>lower tier</span> <span>option</span> </div>				