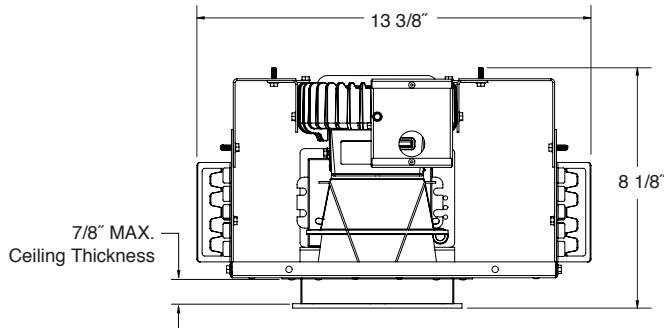
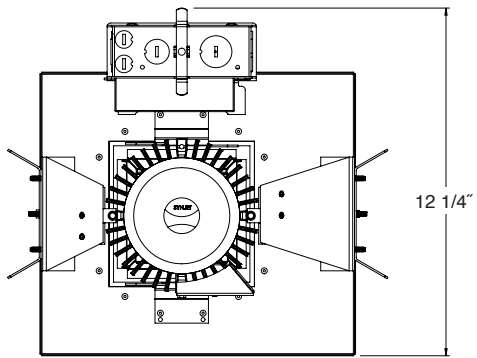


SOLID STATE LIGHTING 4"x4" SQUARE

LED

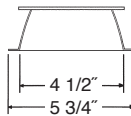


R.O. - 5 3/8" SQ.



LED Frame-in Kit

Part #	Lumens*	CRI	Temp	Watts*
LED4x4-DLM1100-27K-x	1100	80+	2700 K	19W
LED4x4-DLM1100-3K-x	1100	80+	3000 K	19W
LED4x4-DLM1100-35K-x	1100	80+	3500 K	18W
LED4x4-DLM1100-4K-x	1100	80+	4000 K	18W
LED4x4-DLM1300-27K-x	1300	80+	2700 K	22W
LED4x4-DLM1300-3K-x	1300	80+	3000 K	22W
LED4x4-DLM1300-35K-x	1300	80+	3500 K	21W
LED4x4-DLM1300-4K-x	1300	80+	4000 K	20W
LED4x4-DLM2000-27K-x	2000	80+	2700 K	33W
LED4x4-DLM2000-3K-x	2000	80+	3000 K	33W
LED4x4-DLM2000-35K-x	2000	80+	3500 K	31W
LED4x4-DLM2000-4K-x	2000	80+	4000 K	30W



Replace X with a 1 for 120V or a 2 for 277V.

*Listed lumens and wattages are component measurements, see photometrics for fixture values.

Component Information

Philips Fortimo DLM LED Module

- Patented remote phosphor technology
- Superior quality white LED light
- Dimmable, instant 100% light (10% - 100%)
- Dimmable via: 0-10V protocol (Mark 7 compatible dimmer)
- Rated Life: 50,000 hours at 70% lumen maintenance (L70) when maintained in a 35°C ambient environment with open air flow. Ambient temperatures lower than 35°C may extend life of module. 5-year warranty.

Philips Fortimo Electronic LED Driver

- Input voltage: 120V or 240/277V
- FCC 47 CFR Part 15 / Class A
- Class 2 Rated
- Operating temperature: 70°C / -40°C



Nuventix Synjet® Cooling Systems

- Quiet operation
- 5-year warranty

Trim Kits

Part # Description

Square Open Reflectors

- LSQ4410-CL - Specular Clear
- LSQ4410-SS - Semi-Specular Clear
- LSQ4410-HZ - Haze Clear (Etched)
- LSQ4410-WH - Matte White with White Flange

Square Prismatic Lens Reflectors

- LSQ4421-CL - Specular Clear
- LSQ4421-SS - Semi-Specular Clear
- LSQ4421-HZ - Haze Clear (Etched)
- LSQ4421-WH - Matte White with White Flange

Square Frosted Lens Reflectors

- LSQ4440-CL - Specular Clear
- LSQ4440-SS - Semi-Specular Clear
- LSQ4440-HZ - Haze Clear (Etched)
- LSQ4440-WH - Matte White with White Flange

Factory standard is white trim flange

Other trim colors and finishes available, contact factory

Product Information

- Fixture designed for a standard 5/8" to 3/4" ceiling thickness. Contact factory for thicker ceiling applications.
- Prewired and grounded junction box with galvanized snap-on covers.
- Listed for through branch circuit wiring.
- Universal mounting brackets provide adjustability and will accept the supplied hanger bars or optional #517 and #520 Caddy bars. Also accepts C channel.
- Electrogalvanized plated steel hanger bars are included as factory standard. Bars extend to 24" and offer self-nailing and additional mounting features.
- Insulation must be kept 3" away from fixture. Listed for Wet Location under covered ceiling.



Tested and Listed by ETL to UL 1598 and CSA C22.2 #250. Photometrics at atlantic-lighting.com

Atlantic reserves the right to change components or design details in any manner which does not reduce performance or intended function.

Options

Suffix Specification:

- LEM - Emergency Pack - (Specify Voltage)
Bodine #BLS17-C2 or equivalent Class 2 Rated
- PF - Polished Flange



231 Commerce Drive Fall River, MA 02720
Phone: (508) 678-5411 Fax: (508) 678-5408
www.atlantic-lighting.com

NP10-013

REV 05/01/12