

**LED Cylinder / Open Reflector**

Surface Mount

120 - 277 Volt

Part #

- SLED814-11-27k**  
1100 lumen, 2700k, 19W
- SLED814-11-3k**  
1100 lumen, 3000k, 19W
- SLED814-11-35k**  
1100 lumen, 3500k, 18W
- SLED814-11-4k**  
1100 lumen, 4000k, 18W
- SLED814-13-27k**  
1300 lumen, 2700k, 22W
- SLED814-13-3k**  
1300 lumen, 3000k, 22W
- SLED814-13-35k**  
1300 lumen, 3500k, 21W
- SLED814-13-4k**  
1300 lumen, 4000k, 20W

**Reflector Finishes**

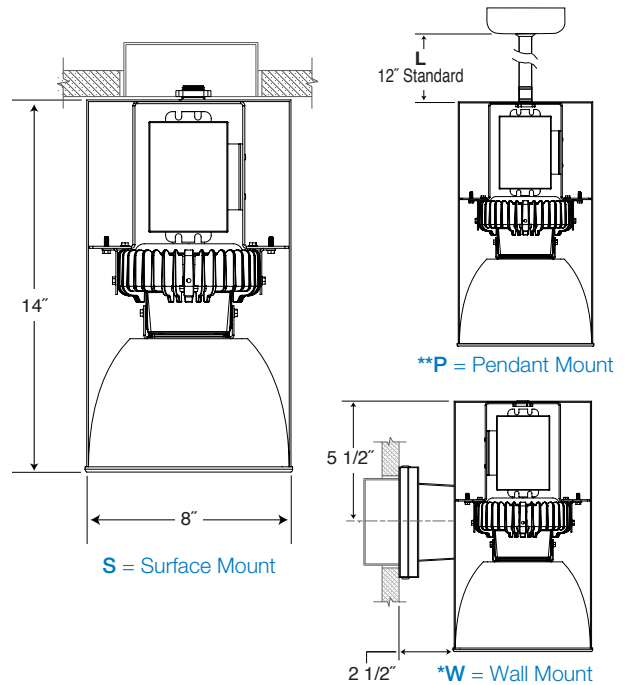
Add finish option to the end of part number.

- CL** - Specular Clear  
**SS** - Semi-Specular Clear  
**HZ** - Haze Clear (Etched)  
**WH** - Matte White with White Flange

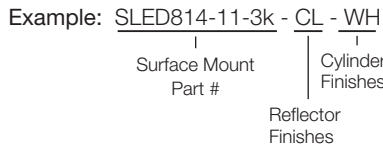
**Cylinder Finishes**

Add cylinder finish option after reflector option.

- WH** - White  
**BL** - Black  
**BR** - Bronze  
**MS** - Metallic silver  
**CC** - Custom color  
 (consult factory)



\*Listed lumens and wattages are component measurements, see photometrics for fixture values.



**Cylinder Mounting Options**

- \* Replace S in product # with W for Wall Mount.
- \*\* Replace S in product # with P for Pendant Mount.
- \*\*\* Replace S in product # with C for Cord Mount. 6-ft standard. Dimming not available on Cord Mount.
- L – Length is 12" Standard. See Options for custom stem lengths.

**Product Information**

- Spun aluminum cylinder housing with an anodized low iridescent specular clear reflector as standard.
- Textured polyester powdercoat on exterior finish available in black, white, bronze or metallic silver. Other finishes available consult factory.
- Pendant fixtures feature a 5/8" OD mounting stem with a swivel canopy that self-adjusts up to 45° to accommodate slope ceilings. Factory standard stem length is 12". Pendant mount for indoor applications only.
- Listed for damp locations. Contact factory for wet location.



Tested and Listed by ETL to UL 1598 and CSA C22.2 #250. Tested to LM79 Photometrics at atlantic-lighting.com

**Component Information**

**Philips Fortimo DLM LED Module**

- Patented remote phosphor technology
- Superior quality white LED light
- Dimmable, instant 100% light (10% - 100%)
- Dimmable via: 0-10V protocol (Mark 7 compatible dimmer)
- Rated Life: 50,000 hours at 70% lumen maintenance (L70) when maintained in a 35°C ambient environment with open air flow. Ambient temperatures lower than 35°C may extend life of module. 5-year warranty.

**Philips Fortimo Electronic LED Driver**

- Input voltage: 120 or 240/277V
- FCC 47 CFR Part 15 / Class A
- Class 2 Rated
- Operating temperature: 70°C / -40°C



**Nuventix Synjet® Cooling Systems**

- Quiet operation
- 5-year warranty



231 Commerce Drive Fall River, MA 02720  
 Phone: (508) 678-5411 Fax: (508) 678-5408  
 www.atlantic-lighting.com